

IR Quattro HD 24m DALI plus

In-ceiling installation
 EAN 4007841 035204
 Article number 035204



infrared sensor



max. 8m x 8m presence

HD

4800 zones



ideal 2,5 - 10 m



indoor sensor



3+1 light channels



10 - 1000 lux



5 sec - 60 min

iQ

iQ-mode



energy saving

Function description

The gateway to intelligent lighting control. Intelligent infrared presence detector IR Quattro HD DALI plus with a wide range of additional functions, ideal for classrooms, open-plan offices and multi-storey car parks, mounting height up to 10 m, with three lighting channels (DALI addressable) for up to 64 luminaires, easily set up via app. Additional floating relay, constant-lighting control and variable light-level functions, button interface for all 3 lighting channels for controlling and dimming the floating relay (lighting mode), remotely controllable via Smart Remote.

Technical specifications

Dimensions (L x W x H)	120 x 120 x 119 mm
With motion detector	Yes
Manufacturer's Warranty	5 years
Settings via	Remote control, Smart Remote
With remote control	No
Version	In-ceiling installation
PU1, EAN	4007841035204
Type	Presence detector
Application, place	Indoors
Application, room	classroom, lecture hall, open-plan office, high-bay warehouse, production facilities, conference room / meeting room, duty room, recreation room, changing room, sports hall, reception / lobby, multi-storey / underground car park, Indoors
Colour	white
Colour, RAL	9010

Optimum mounting height	2,8 m
Detection angle	360 °
Angle of aperture	160 °
Sneak-by guard	Yes
Capability of masking out individual segments	No
Electronic scalability	No
Mechanical scalability	Yes
Reach, radial	8 x 8 m (64 m ²)
Reach, tangential	20 x 20 m (400 m ²)
Reach, presence	8 x 8 m (64 m ²)
Switching zones	4800 switching zones
Functions	4 inputs for conventional switches, Semi-/fully automatic, Constant-lighting control ON-OFF, Master/slave override, Neighbouring group function, Normal / test mode, TouchDIM function

IR Quattro HD 24m DALI plus

In-ceiling installation
EAN 4007841 035204
Article number 035204



Technical specifications

Includes corner wall mount	No
Installation site	ceiling
Installation	In-ceiling installation, Ceiling
IP-rating	IP20
Ambient temperature	from 0 up to 40 °C
Material	Plastic
Mains power supply	220 – 240 V / 50 – 60 Hz
Power consumption	0,5 W
Steuerausgang, Dali	Broadcast 64 electronic ballasts / Addressable
Technology, sensors	passive infrared, Light sensor
Mounting height	2,50 – 10,00 m
Mounting height max.	10,00 m

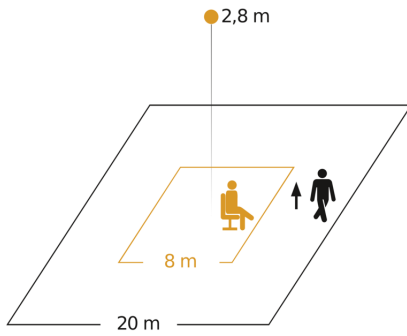
Twilight setting	10 – 1000 lx
Time setting	5 s – 60 Min.
Basic light level function	Yes
Basic light level function time	1-60 min, all night
Main light adjustable	50 - 100 %
Twilight setting TEACH	Yes
Constant-lighting control	Yes
Interconnection	Yes
Type of interconnection	Master/master, Master/slave
Interconnection via	Cable, DALI bus
Product category	Presence detector

IR Quattro HD 24m DALI plus

In-ceiling installation
EAN 4007841 035204
Article number 035204

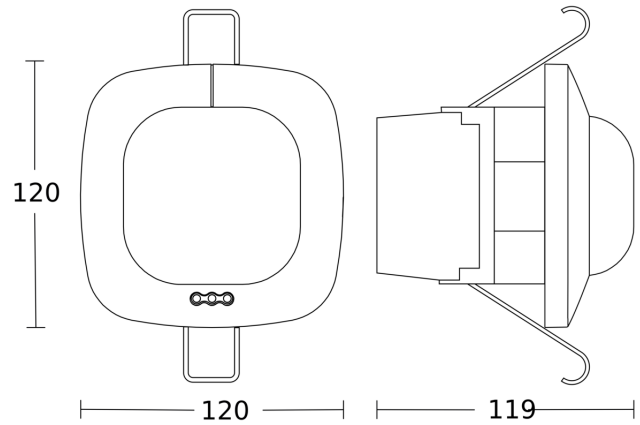


Detection Zone

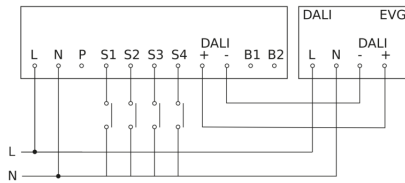


Possible mounting height: 2,50 m - 10,00 m
Orange: presence
Black: tangential

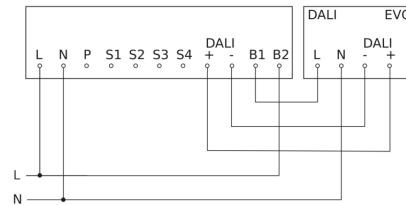
Dimension Drawing



Master circuit diagram



Master circuit diagram with electronic ballast OFF

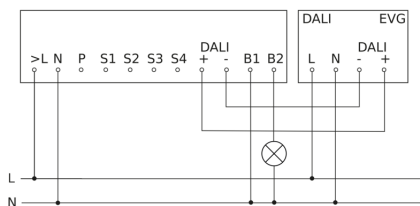


IR Quattro HD 24m DALI plus

In-ceiling installation
EAN 4007841 035204
Article number 035204



Master circuit diagram with switched luminaire



Master/slave and master/master interconnection circuit diagram

